

LIQUIDRED

ENGLISH

Installation Instructions for

Trim / Finishing Set - Single Lever Shower Mixer

(LRTP_IN_VSA-04_v020)

Thank you for purchasing this LIQUIDRED Product.

Please read these instructions carefully before installing this product.

Before installing, inspect all parts for damage. After installation no claims on surface damage or transport damage will be entertained.

CAUTION

The hot and cold water supply must have balanced pressures.

Make sure pipes are flushed before connecting any spouts, shower heads or hand showers to remove any dirt or debris in the pipes.

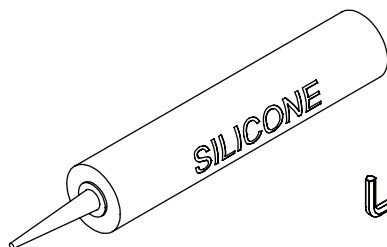
DO NOT clean with Tile Grout cleaner or any other house hold cleaner with an acid or chlorine (bleach) base, or any natural or organic detergents. Warranty will be void if these cleaning products are used.

For products with colour finishes, it is important to clean daily with a clean damp cloth and dry after every used in order to prolong the life of the colour finish.

PRODUCT LIMITED GUARANTEE

For product guarantee terms and conditions please refer to website www.liquid-red.com/za/.

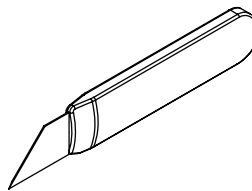
1. Some tools that you may need to install this product



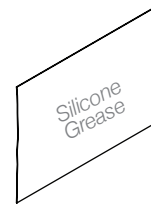
Silicone (acetic free)
(not supplied)



Allen key
2.5mm
(supplied)



Cutting Blade
(not supplied)



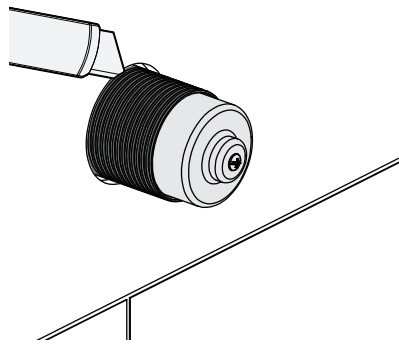
Silicone Grease
(supplied)

NOTE

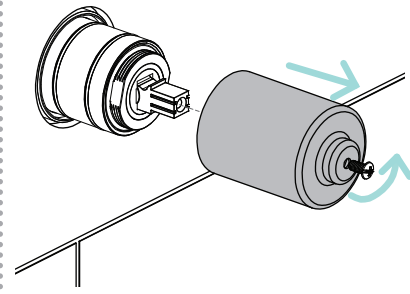
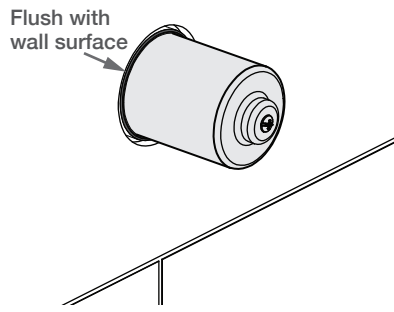
Products in diagrams used are for graphical representation only, actual products may vary from model to model.

Due to the fact that LIQUIDRED is always actively researching new methods and/or materials with a view to further improving our products you may notice some differences between the parts you received and the assembly method described herein. Please understand that this instruction leaflet is intended as a guide only.

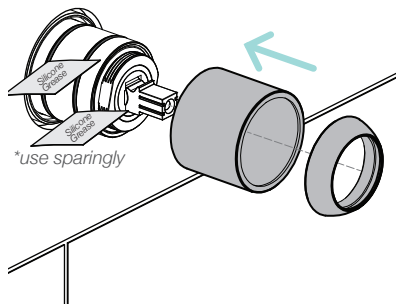
2.1 Shower Mixer - Installation of Trim Set



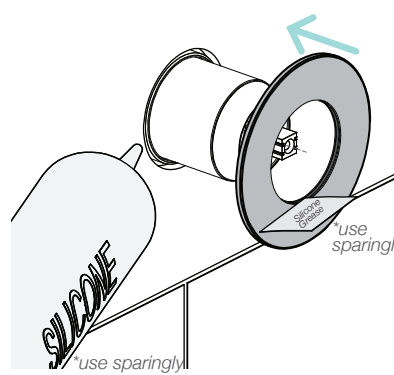
1 Trim plastic installation cover to be flush with wall surface



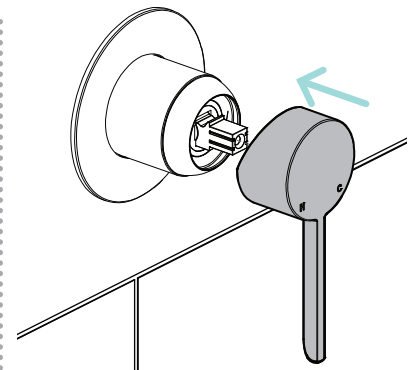
2 Remove plastic protective sleeve.



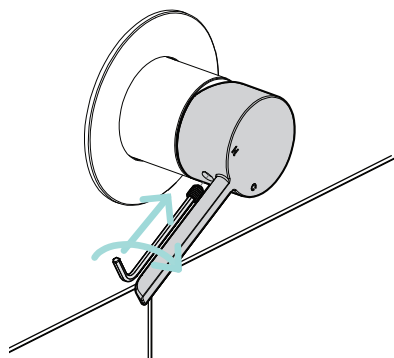
3 Add Cartridge Mixer Sleeve and Cartridge Dome Cap.



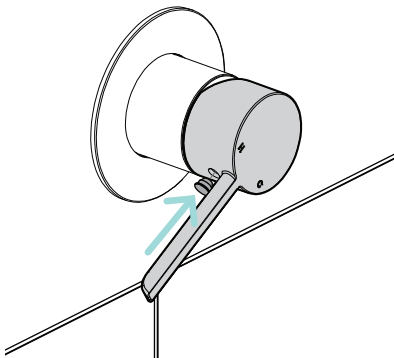
4 Add Mixer Cover Plate.



5 Add Lever handle

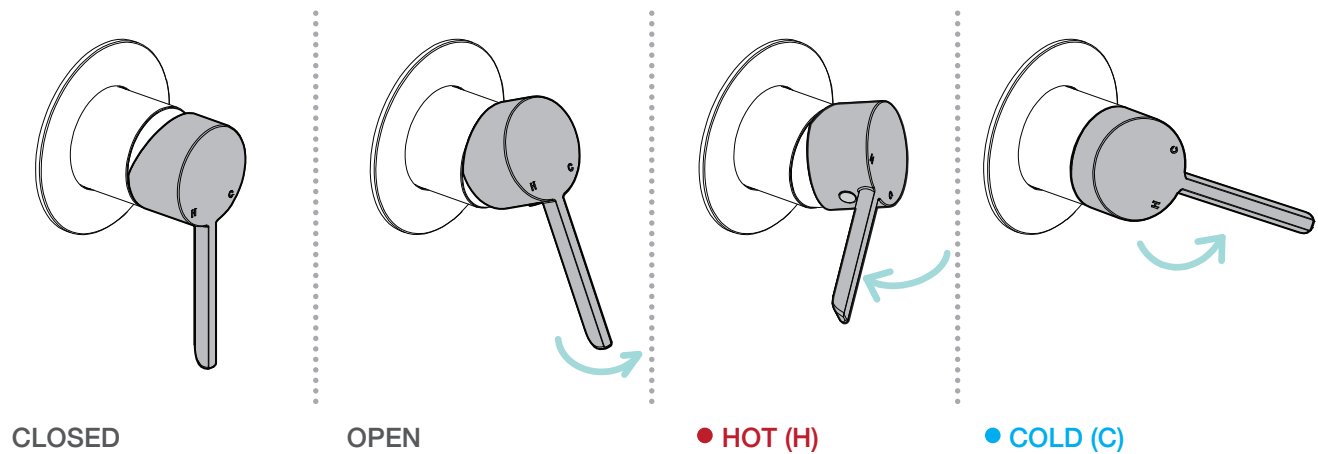


6 Insert Grub Screw and tighten using Allen Key to secure Lever.



7 Insert Silicone Plug into hole.

2.2 Shower Mixer - How to use



2.3. Shower Mixer - Cleaning, Care and Maintenance

DO NOT clean with Tile Grout cleaner or any other cleaner with an acid or chlorine (bleach) base. Warranty will be void if these cleaning products are used.

To maintain the mixer in pristine condition, prolong the life of the surface finish and to prevent the accumulation of dirt and lime-scale it is important to:

- **Clean the surface of the mixer daily**

Cleaning of the mixer surface:

- Use water and a soft cloth to clean.
- If dirt and lime-scale have accumulated on the surface, it is possible to occasionally use cleaners with a mild citric-acid base, however prolonged use of such cleaners may damage the surface of the mixer, use with caution.
- **DO NOT** use general house-hold cleaning agents as these can contain chlorine or other acids
- **DO NOT** any organic or natural cleaners.
- **DO NOT** leave the cleaning agent on the fitting for an extended period, immediately rinse off with sufficient clean water to remove all cleaning agent before drying.
- Use a soft clean cloth to polish dry.
- When cleaning surrounding surfaces be careful not to spray the fitting, always rinse the mixer last to make sure there is no cleaning agent left on the mixer.

Suitable cleaning agents:

- For chrome surfaces - use cleaners with a citric acid base only, **for occasional cleaning only**.
- For colour surfaces - do not use any cleaners, only clean with use fresh water daily
- We recommended that you only use cleaning agent specially developed for chrome fittings. Read and follow the instructions on the cleaning agent packaging.
- The cleaning spray should be sprayed onto the cloth and not directly on to the fitting.

UNSUITABLE cleaning agents and cleaning materials:

- **DO NOT USE** Tile Grout cleaner or any other cleaner with an acid or chlorine (bleach) base.
- **DO NOT USE** any abrasive cleaning materials or pads.
- **DO NOT USE** cleaners with abrasive particles or scouring powders.