

LIQUIDRED

Mounting Instructions for LADDER RAIL

(BTA-LR-VSA-04-v02)

ENGLISH

Thank you for purchasing this LIQUIDRED Product.

CAUTION

The wall fasteners provided with the installation kit are for convenience purpose only and are not suitable for all types of installations. It is the ultimate responsibility of the installer to ensure that the product is mounted correctly and securely. These installation instructions are to be used as a guide as every installation is different. These installation instructions are only suitable for installation on a Masonry wall.

PRODUCT LIMITED GUARANTEE

All components of LIQUIDRED stainless steel Ladder Rail are guaranteed against any manufacturing defects for a period of 10 years from date of purchase, excluding any special color finishes which are guaranteed against any manufacturing defects for a period of 1 year from date of purchase, as printed on the sales docket, which must be provided as proof of purchase. Excluded from this warranty are damages resulting from force majeure (Acts of God), including but not limited to lightning and floods, fair wear and tear, misuse, wilful damage, negligence, repair of device without the approval of LIQUIDRED or damage resulting from incorrect installation. The manufacturer's liability is limited to repair or replacement of the bathroom accessories only. No claim for consequential damage and/or labour and/or transport will be entertained. Damages arising from misuse of the bathroom accessories will render the warranty invalid. This warranty is only valid when the product has been purchased from an authorised reseller or country/territory distributor and is only valid within the geographical borders of the country/territory that it was originally purchased. This warranty only extends to the original purchaser of this product and is not transferable.

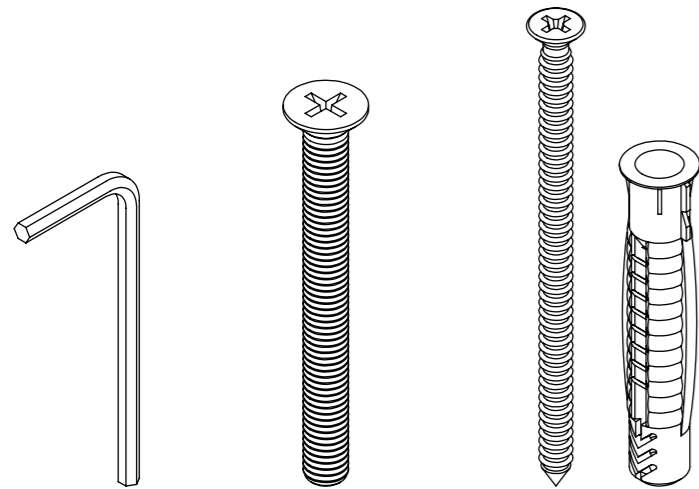
DO NOT clean with Tile Grout cleaner or any other cleaner with an acid or chlorine base. Warranty will be void if these cleaning products are used.

NOTE

Products in diagrams used are for graphical representation only, actual products may vary from model to model.

1. Tools and Fasteners Supplied:

(all other tools and fasteners shown are not supplied)



x1
2.5mm Allen Key

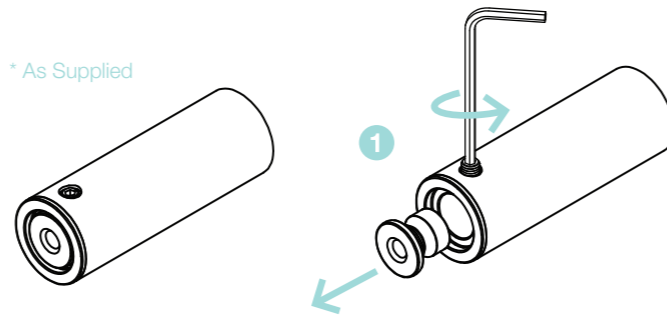
x4

x4 x4

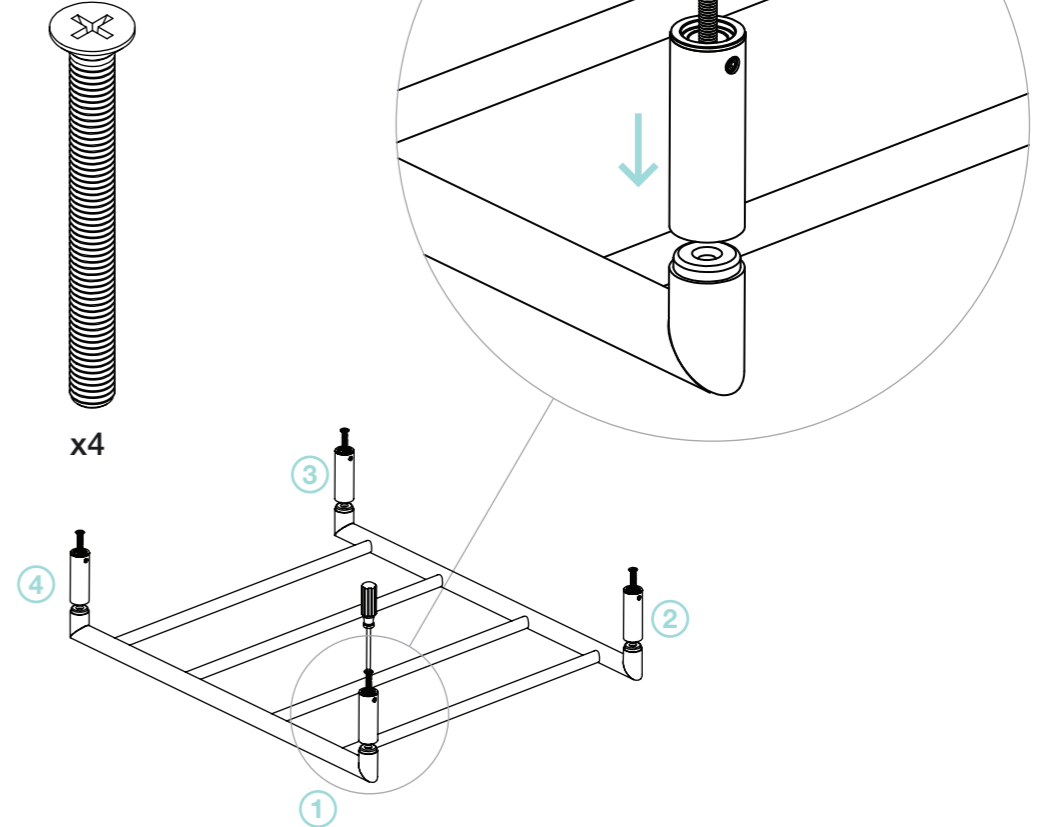
2. Assemble Ladder Rail

1 Remove MALE MOUNT from EXTENSION TUBE

* As Supplied

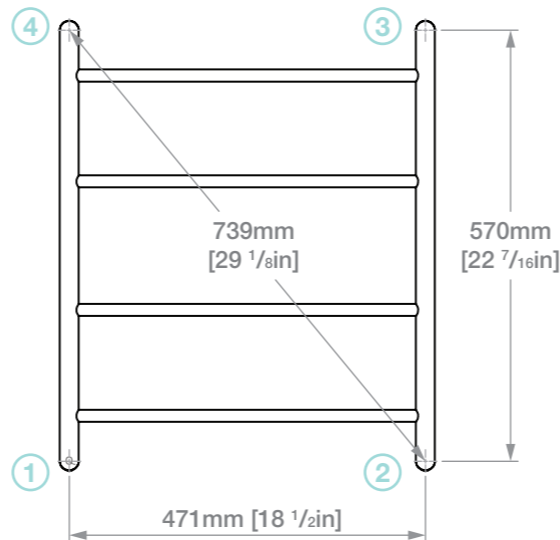


2 Use SCREW provided to secure EXTENSION TUBE to LADDER RAIL

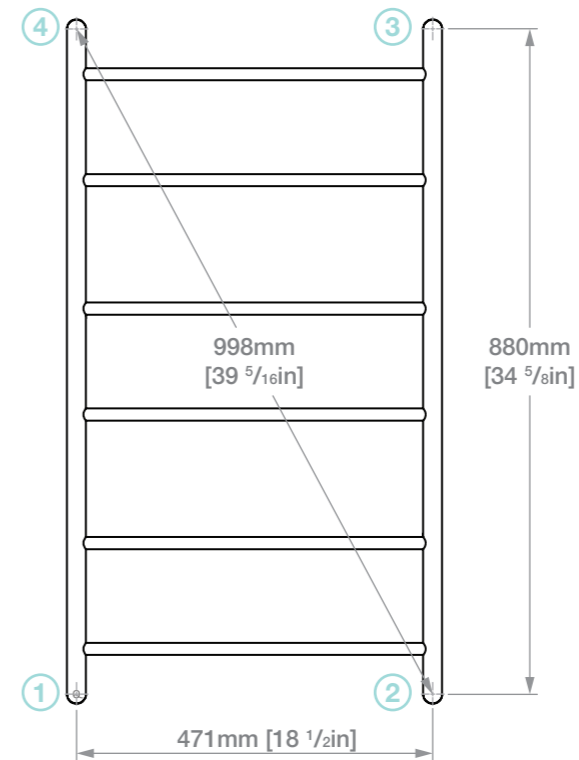


3. Mark Holes to Drill on Wall

1 Use Measurements provided below for respective models to mark mounting points on wall



UNITY 4 Bar
VIRTUE 4 Bar

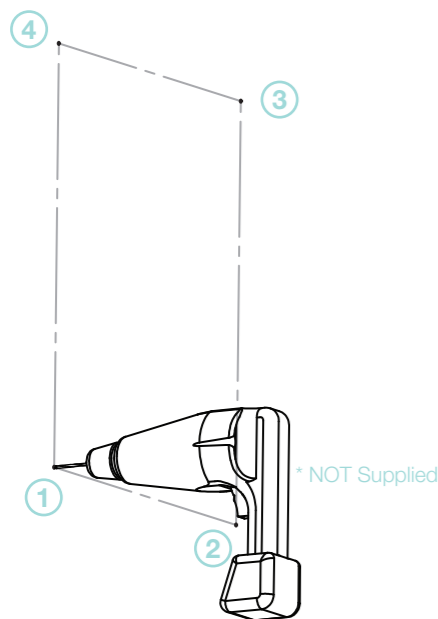


UNITY 6 Bar
VIRTUE 6 Bar

*Due to the fact that LIQUIDRED is always actively researching new methods and/or materials with a view to further improving our products you may notice some differences between the parts you received and the assembly method described herein. Please understand that this instruction leaflet is intended as a guide only.

4. Drill Holes

- 1 Drill Pilot Holes at marked points
- 2 Drill Sizing Holes



Water pipe warning



*CAUTION:
Before drilling check
for water pipes

Ceramic Tiles



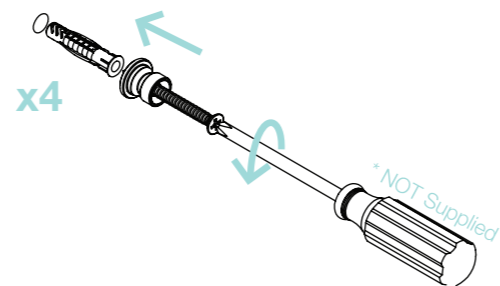
Ø 6mm [1/4in]

Masonry

- 1 Pilot Hole = Ø 4.0mm [5/16in]
- 2 Sizing Hole = Ø 6.0mm [1/4in]

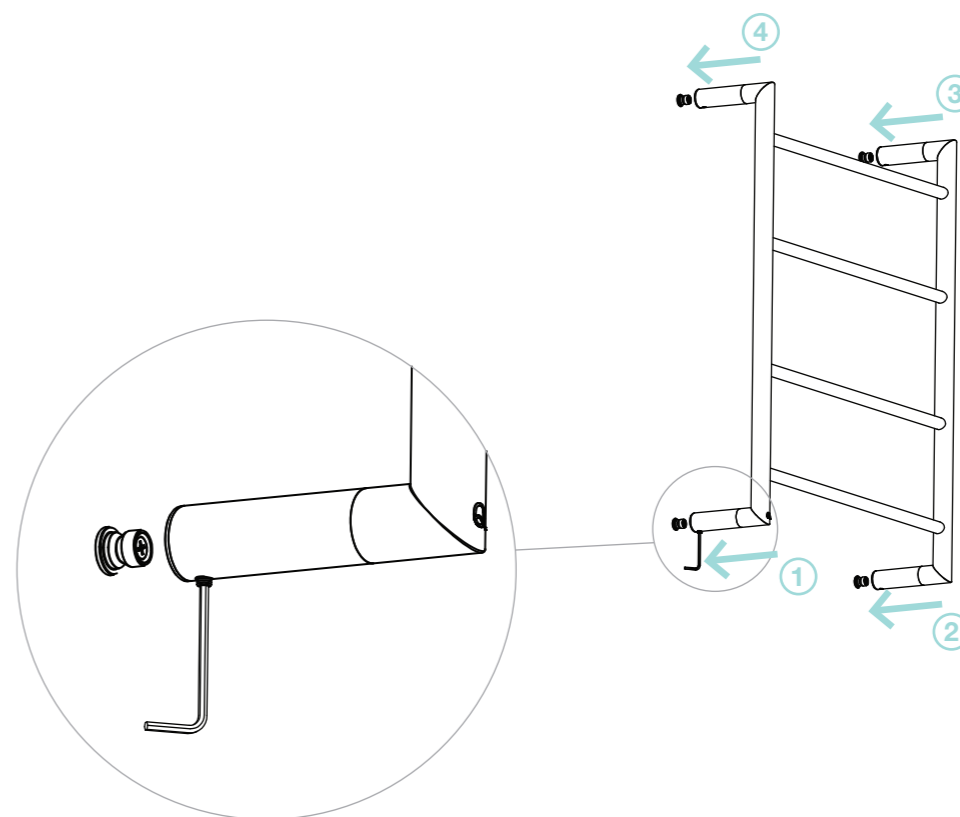
5. Secure MALE MOUNT

- 1 Use SCREW and PLASTIC PLUG provided to secure MALE MOUNT to wall
* fasteners supplied suitable for masonry wall only.



6. Secure LADDER RAIL to Wall

- 1 Push EXTENSION TUBES over MALE MOUNTS



6. Secure LADDER RAIL to Wall continued

- 2 Tighten GRUB SCREW using ALLEN KEY

