

LIQUIDRED

Mounting Instructions for products with Wonder-Mount mounting system (BTA-LR_VSA-03-v1.3)

ENGLISH

Thank you for purchasing this LIQUIDRED Product.

CAUTION

The wall fasteners provided with the installation kit are for convenience purpose only and are not suitable for all types of installations. It is the ultimate responsibility of the installer to ensure that the product is mounted correctly and securely. These installation instructions are to be used as a guide as every installation is different. These installation instructions are only suitable for installation on a Masonry wall.

PRODUCT LIMITED WARRANTY

All components of LIQUIDRED chrome plated bathroom accessories are guaranteed against any manufacturing defects for a period of 5 years from date of purchase, excluding any special color finishes which are guaranteed against any manufacturing defects for a period of 1 year from date of purchase, as printed on the sales docket, which must be provided as proof of purchase. Excluded from this warranty are damages resulting from force majeure (Acts of God), including but not limited to lightning and floods, fair wear and tear, misuse, wilful damage, negligence, repair of device without the approval of LIQUIDRED or damage resulting from incorrect installation. The manufacturer's liability is limited to repair or replacement of the bathroom accessories only. No claim for consequential damage and/or labour and/or transport will be entertained. Damages arising from misuse of the bathroom accessories will render the warranty invalid. This warranty is only valid when the product has been purchased from an authorised reseller or country/territory distributor and is only valid within the geographical borders of the country/territory that it was originally purchased. This warranty only extends to the original purchaser of this product and is not transferable.

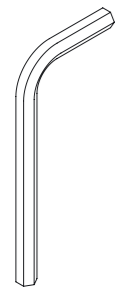
DO NOT clean with Tile Grout cleaner or any other cleaner with an acid or chlorine base. Warranty will be void if these cleaning products are used.

NOTE

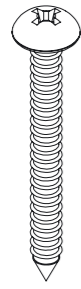
Products in diagrams used are for graphical representation only, actual products may vary from model to model.

1. Tools and Fasteners Supplied:

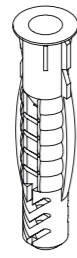
(all other tools and fasteners shown are not supplied)



x1



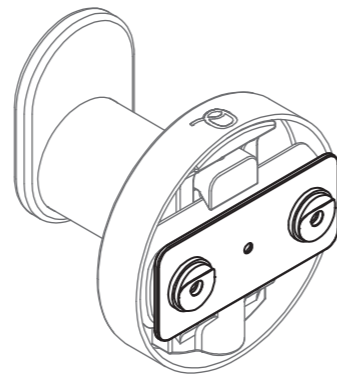
x2 - Single Mounting
x4 - Double Mounting



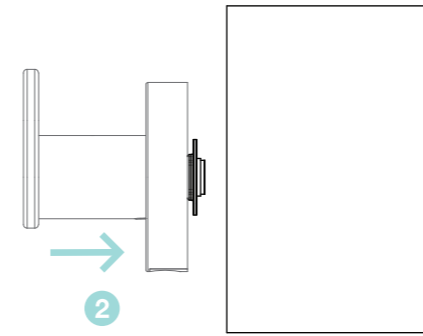
x2 - Single Mounting
x4 - Double Mounting

2. Stick Mounting Template to Wall

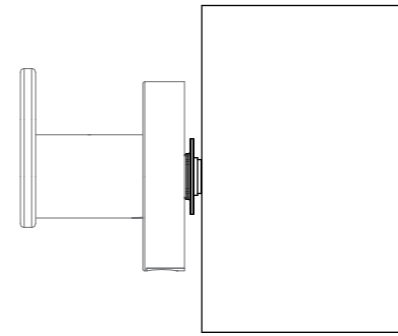
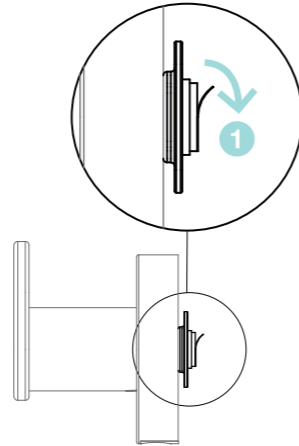
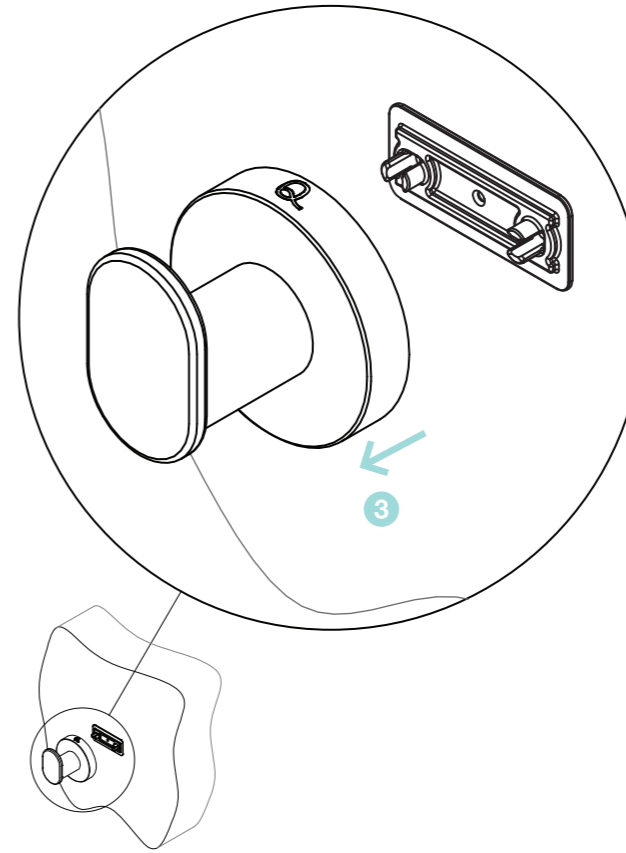
1 Peel off backing



2 Ensure Accessory is level and stick to wall

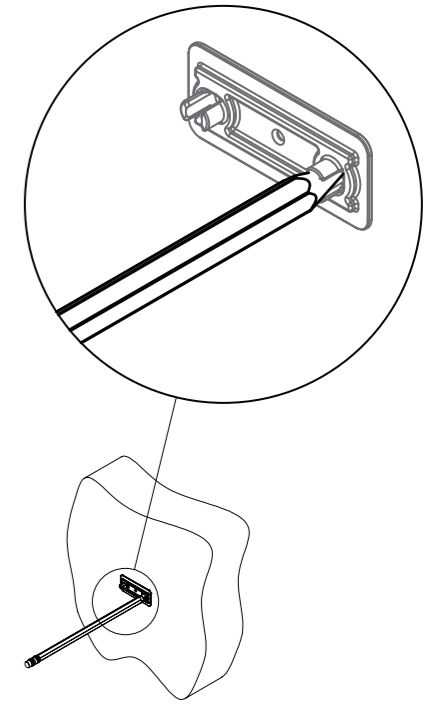


3 Remove Accessory, Template remains



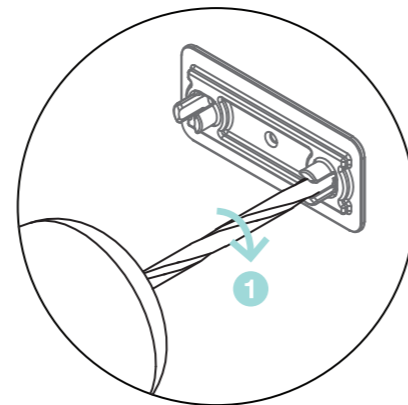
3. Mark Holes

1 Mark holes in case Template becomes loose during drilling

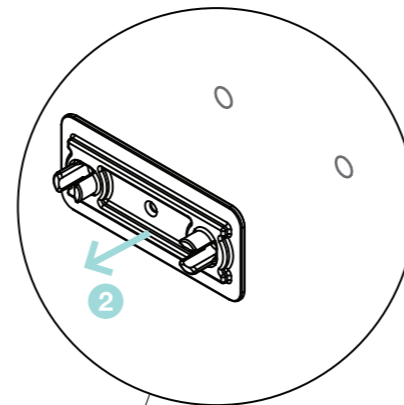


4. Drill Holes

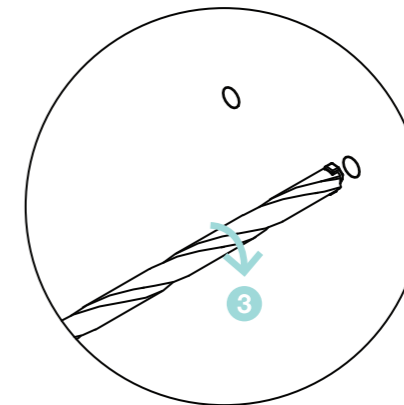
1 Drill pilot hole



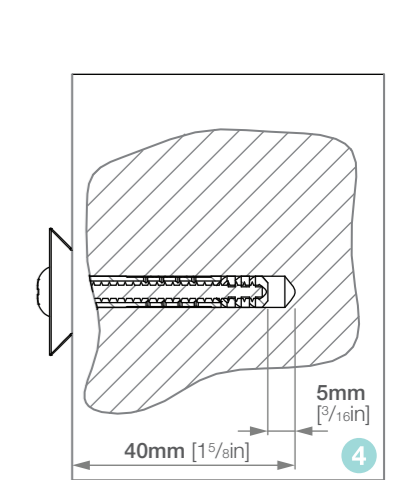
2 Remove Template



3 Drill sizing hole -Note: Accurate hole size is important to secure Accessory to the wall



4 Ensure sufficient hole depth

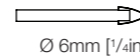


Water pipe warning



*CAUTION: Before drilling check for water pipes

Ceramic Tiles



Ø 6mm [1/4in]

Masonry



Pilot Hole = Ø 4.0mm [3/16in]

Water pipe warning



*CAUTION: Before drilling check for water pipes

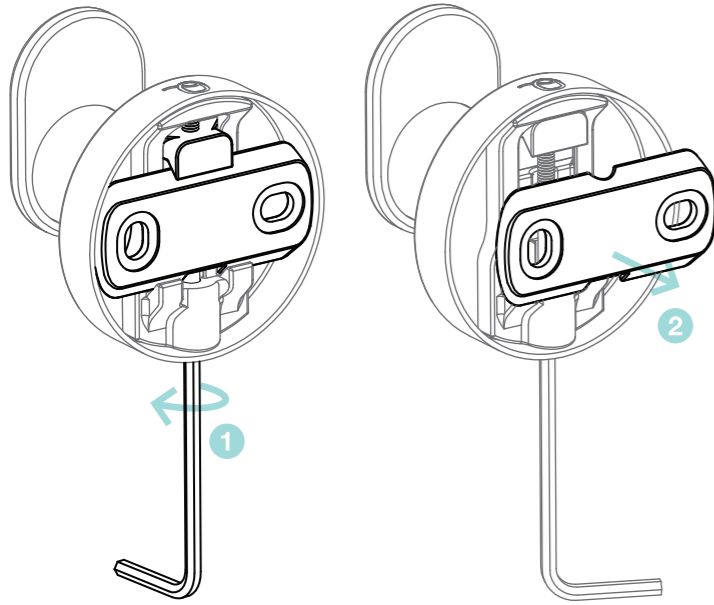
Masonry

Sizing Hole = Ø 6.0mm [1/4in]

*Due to the fact that LIQUIDRED is always actively researching new methods and/or materials with a view to further improving our products you may notice some differences between the parts you received and the assembly method described herein. Please understand that this instruction leaflet is intended as a guide only.

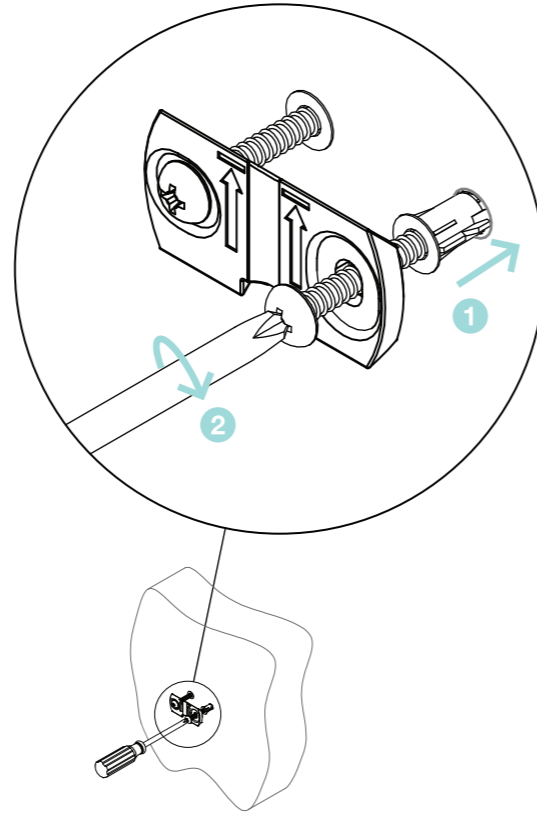
5. Remove Wedge

- 1 Loosen Screw
- 2 Remove Wedge



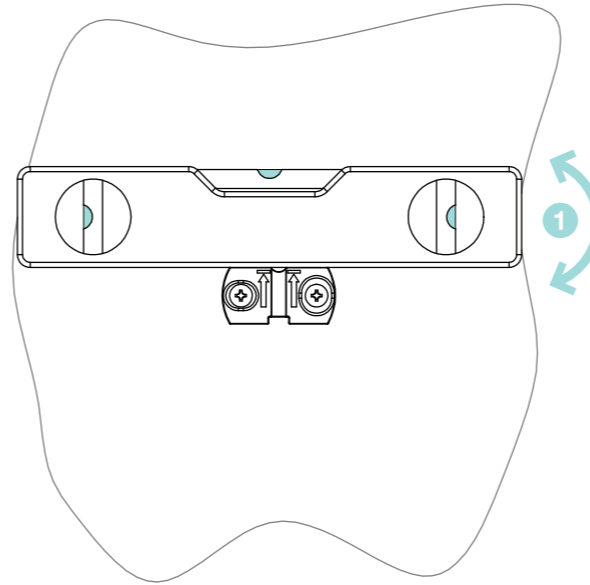
6. Secure Wedge to Wall

- 1 Insert Plastic Wall Plug into drilled hole
- 2 Tighten Screws



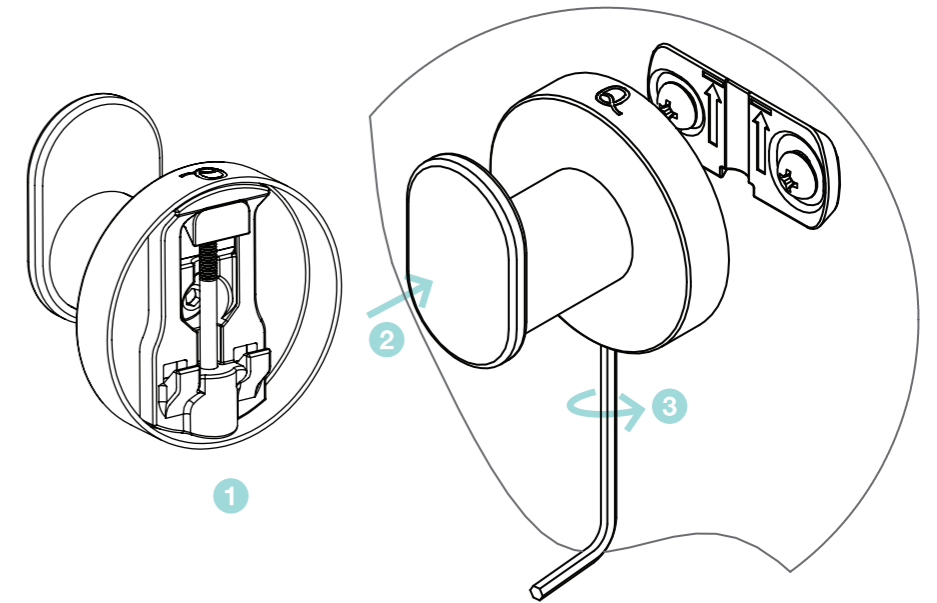
7. Adjust to Level

- 1 Use Spirit Level to make sure Wedge is level, if not loosen screws and adjust to level.



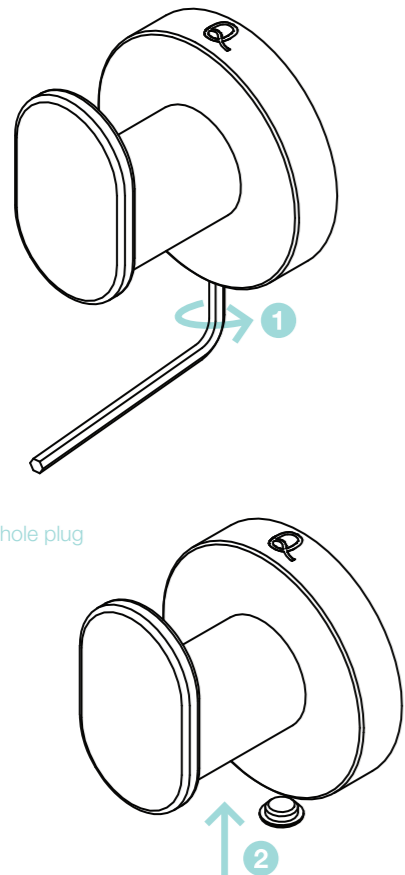
8. Add accessory and secure to wall

- 1 Make sure Clamp is in highest position as shown
- 2 Push Accessory over Wedge and against the wall
- 3 Tighten Screw



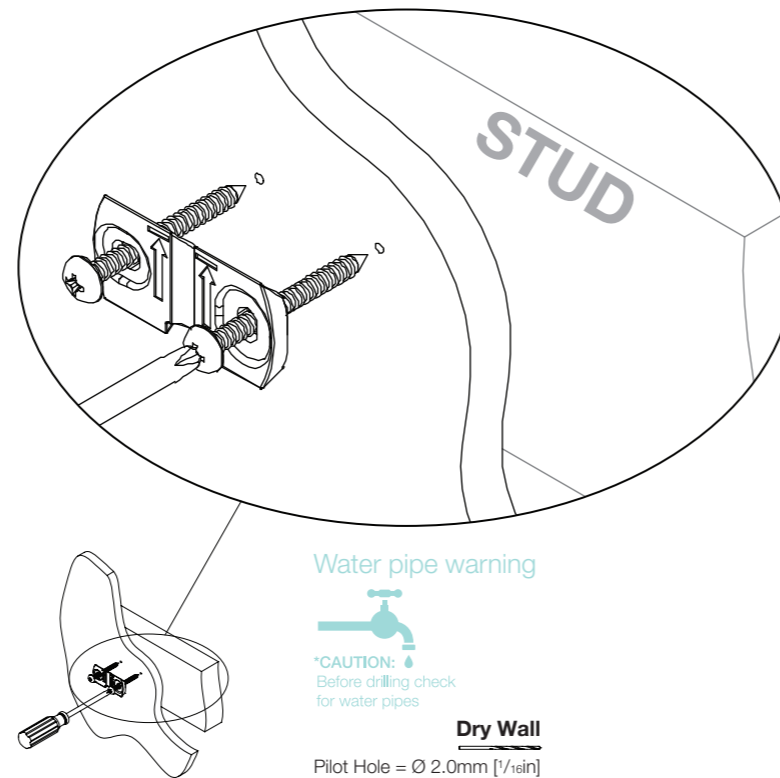
9. Tighten Screw

- 1 Rotate Allen Key and tighten Screw further



Dry wall mounting - Install suggestion #1

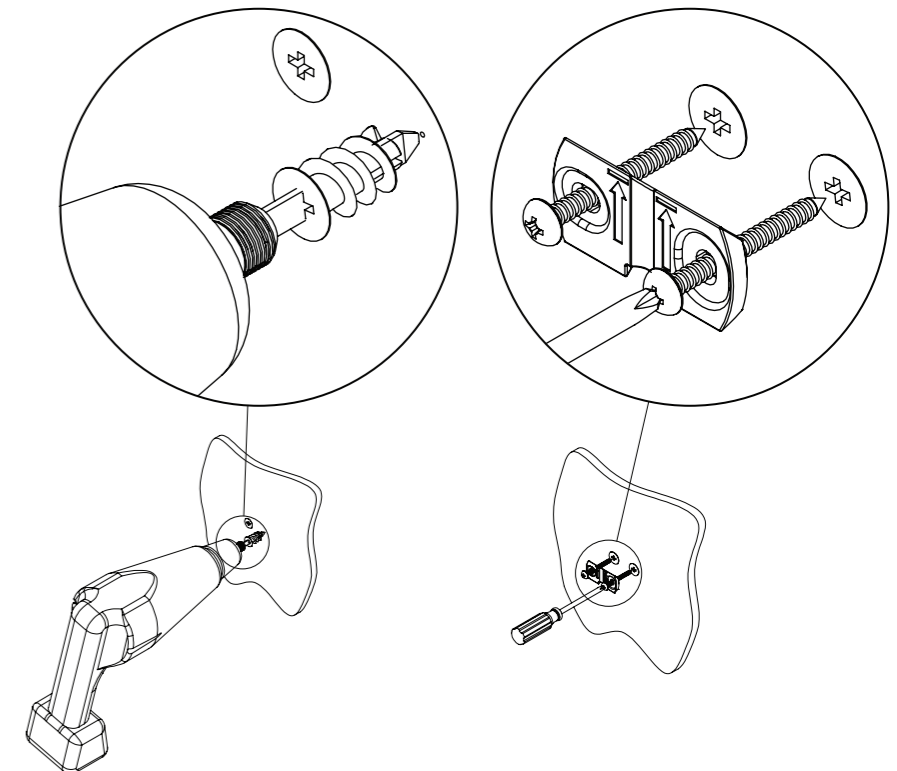
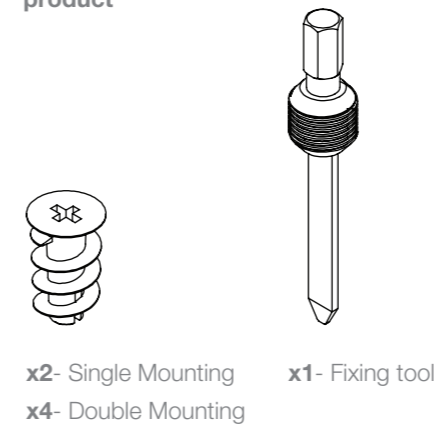
Dry wall with Stud (preferred method)



Dry wall mounting - Install suggestion #2

Dry wall without Stud

Tooling and Fasteners below would be required but are **not supplied with this product**



*Due to the fact that LIQUIDRED is always actively researching new methods and/or materials with a view to further improving our products you may notice some differences between the parts you received and the assembly method described herein. Please understand that this instruction leaflet is intended as a guide only.