



LIQUID RED

ENGLISH

# LR3200 Series - Mounting Instructions

(BTA-LR3200-VSA-01-v1.1)

for use with UX-8 and CSK Screw 5.0 x 75mm

Thank you for purchasing this LIQUID RED Product.

### CAUTION

The wall fasteners provided with the installation kit are for convenience purpose only and are not suitable for all types of installations. It is the ultimate responsibility of the installer to ensure that the product is mounted securely. These installation instructions are to be used as a guide as every installation is different. These installation instructions are only suitable for installation on a Masonry wall.

### PRODUCT LIMITED WARRANTY

All components of LIQUID RED stainless steel bathroom accessory are guaranteed against any manufacturing defects for a period of 5 years from date of purchase, as printed on the sales docket, which must be provided as proof of purchase.

Excluded from this warranty are damages resulting from force majeure (Acts of God), including but not limited to lightning and floods, fair wear and tear, misuse, wilful damage, negligence, repair of device

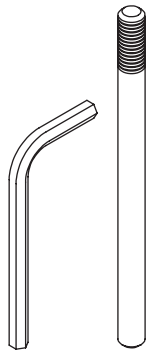
without the approval of LIQUID RED or damage resulting from incorrect installation. The manufacturer's liability is limited to repair or replacement of the stainless steel bathroom accessories only. No claim for consequential damage and/or labour and/or transport will be entertained. Damages arising from misuse of the stainless steel bathroom accessories will render the warranty invalid. This warranty is only valid when the product has been purchased from an authorised reseller or country/territory distributor and is only valid within the geographical borders of the country/territory that it was originally purchased. This warranty only extends to the original purchaser of this product and is not transferable.

### NOTE

Products in diagrams used are for graphical representation only, actual products may vary from model to model.

## 1a. Tools Supplied:

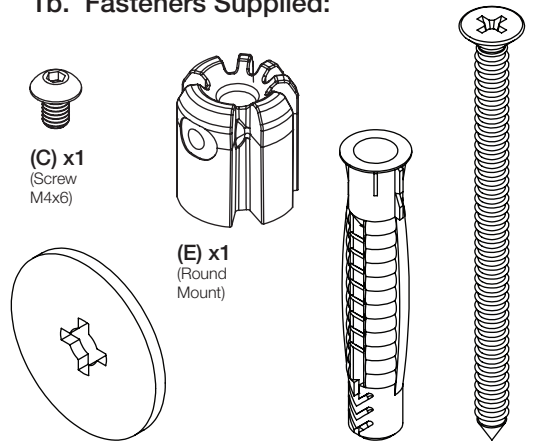
(all other tools shown are not supplied)



(A) x1  
(2.5mm)

(B) x1  
(Pin)

## 1b. Fasteners Supplied:



(C) x1  
(Screw  
M4x6)

(D) x1  
(Backing Plate)

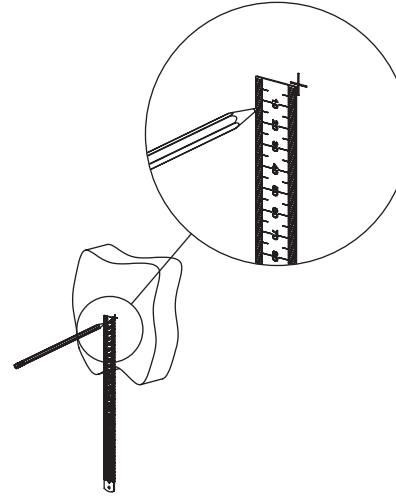
(E) x1  
(Round  
Mount)

(F) x1  
(Plastic Wall  
Plug 8mm)

(G) x1  
(CSK Screw  
5.0x75mm)

\*Due to the fact that LIQUID RED is always actively researching new methods and/or materials with a view to further improving our products you may notice some differences between the parts you received and the assembly method described herein. Please understand that this instruction leaflet is intended as a guide only.

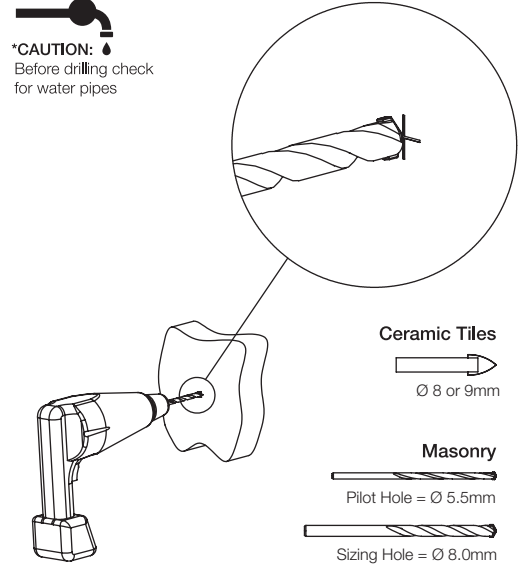
## 2. Mark position



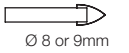
## 3. Drill hole



\*CAUTION: Before drilling check for water pipes



Ceramic Tiles



Ø 8 or 9mm

Masonry

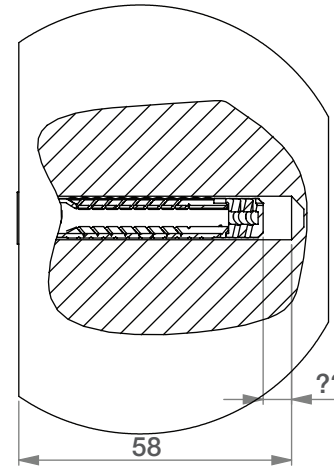


Pilot Hole = Ø 5.5mm

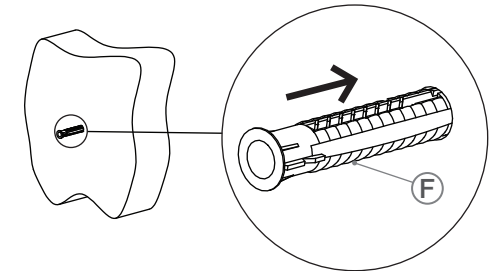


Sizing Hole = Ø 8.0mm

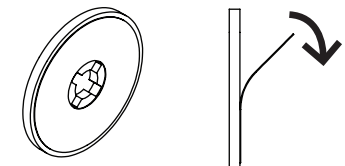
## 4. Check hole depth



## 5. Add Plastic Wall Plug

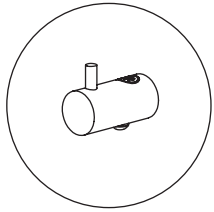


## 6. Expose adhesive on backing plate

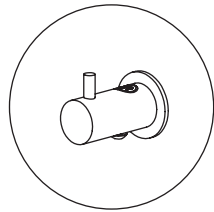


(DO NOT apply to wall, wait for STEP 8)

## 7. Mounting options

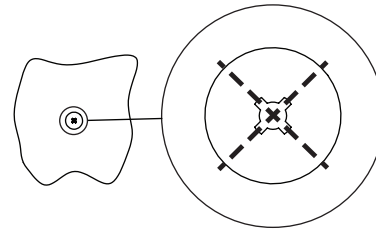


WITHOUT backing plate



WITH backing plate

## 8. Add mount

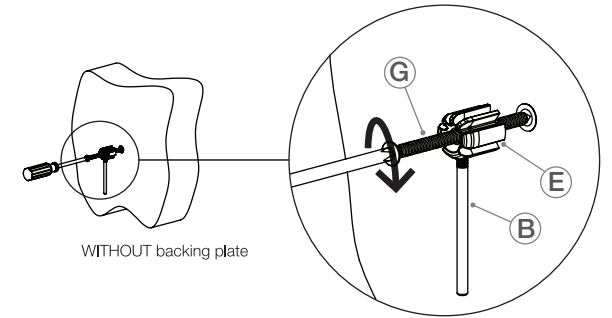


Take note of required backing plate angle

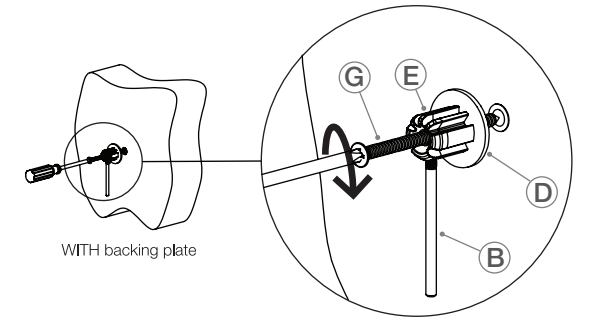
VERTICAL



Use Pin to hold mount and ensure vertical alignment

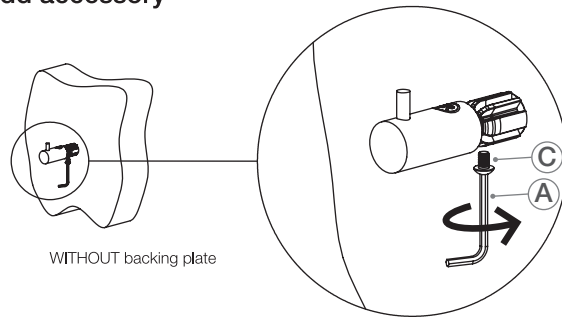


WITHOUT backing plate

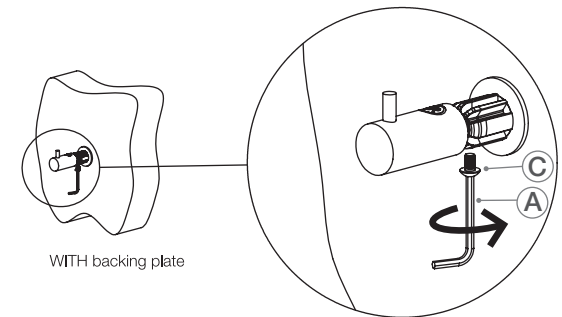


WITH backing plate

## 9. Add accessory



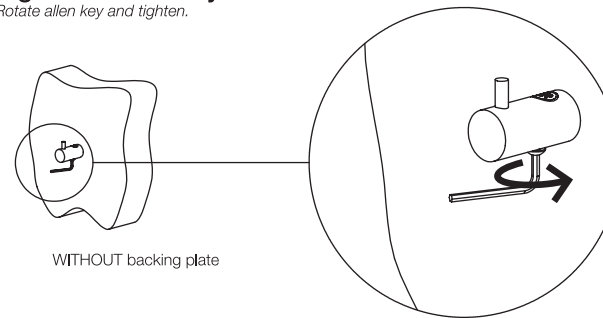
WITHOUT backing plate



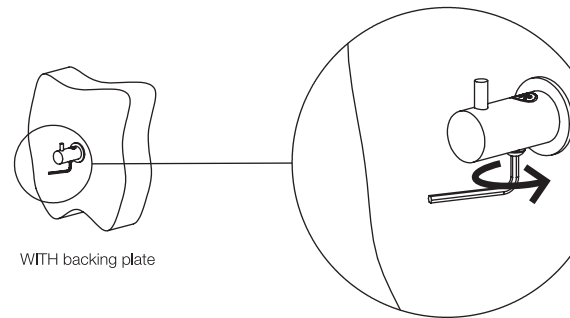
WITH backing plate

## 10. Tighten accessory

Rotate allen key and tighten.



WITHOUT backing plate



WITH backing plate