

LIQUIDRED

ENGLISH

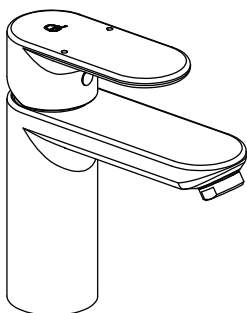
Assembly and Installation Instructions for Single Lever Basin Mixers
(LRTP_IN_VSA-01_v1.1)

Thank you for purchasing this LIQUIDRED Product.

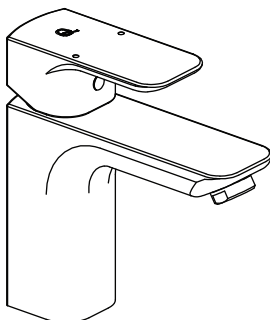
Please read these instructions carefully before installing this product.

Before installing, inspect all parts for damage. After installation no claims on surface damage or transport damage will be entertained.

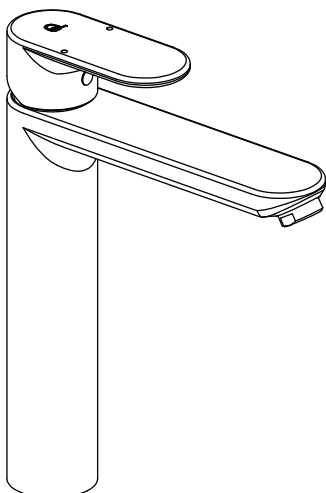
SOLACE 110



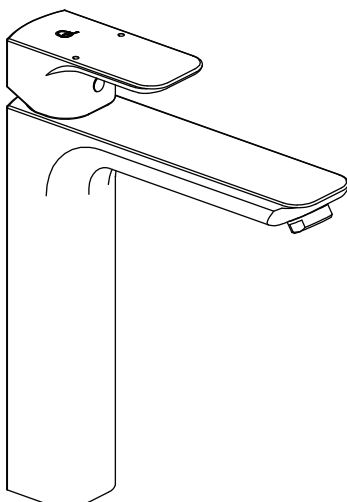
VALOUR 110



SOLACE 210



VALOUR 210



CAUTION

The hot and cold water supply must have balanced pressures.

Make sure pipes are flushed before connecting to faucet to remove any dirt or debris.

DO NOT clean with Tile Grout cleaner or any other cleaner with an acid (with exception of citric-acid) or chlorine (bleach) base. Warranty will be void if these cleaning products are used.

PRODUCT LIMITED GUARANTEE

All components of **LIQUID RED** chrome plated bathroom mixer are guaranteed against any manufacturing defects for a period of 12 years from date of purchase, excluding any special colour finishes which are guaranteed against any manufacturing defects for a period of 2 years from date of purchase, as printed on the sales docket, which must be provided as proof of purchase. Excluded from this warranty are damages resulting from force majeure (Acts of God), including but not limited to lightning and floods, fair wear and tear, misuse, wilful damage, negligence, repair of device without the approval of **LIQUID RED** or damage resulting from incorrect installation. The manufacturer's liability is limited to repair or replacement of the bathroom mixer only. No claim for consequential damage and/or labour and/or transport will be entertained. Damages arising from misuse of the bathroom mixer will render the warranty invalid. This warranty is only valid when the product has been purchased from an authorised reseller or country/territory distributor and is only valid within the geographical borders of the country/-territory that it was originally purchased. This warranty only extends to the original purchaser of this product and is not transferable.

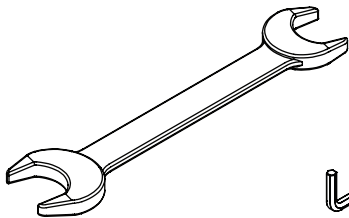
DO NOT clean with Tile Grout cleaner or any other cleaner with an acid (with exception of citric-acid) or chlorine (bleach) base. Warranty will be void if these cleaning products are used.

NOTE

Products in diagrams used are for graphical representation only, actual products may vary from model to model.

Due to the fact that **LIQUID RED** is always actively researching new methods and/or materials with a view to further improving our products you may notice some differences between the parts you received and the assembly method described herein. Please understand that this instruction leaflet is intended as a guide only.

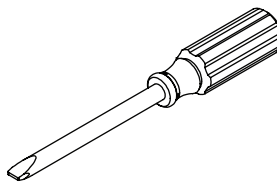
1. Some tools that you may need to install this product



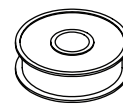
Wrench
26mm
20mm
(not supplied)



Allen key
2.5mm
(supplied)



Screw Driver
Flat Head
(not supplied)

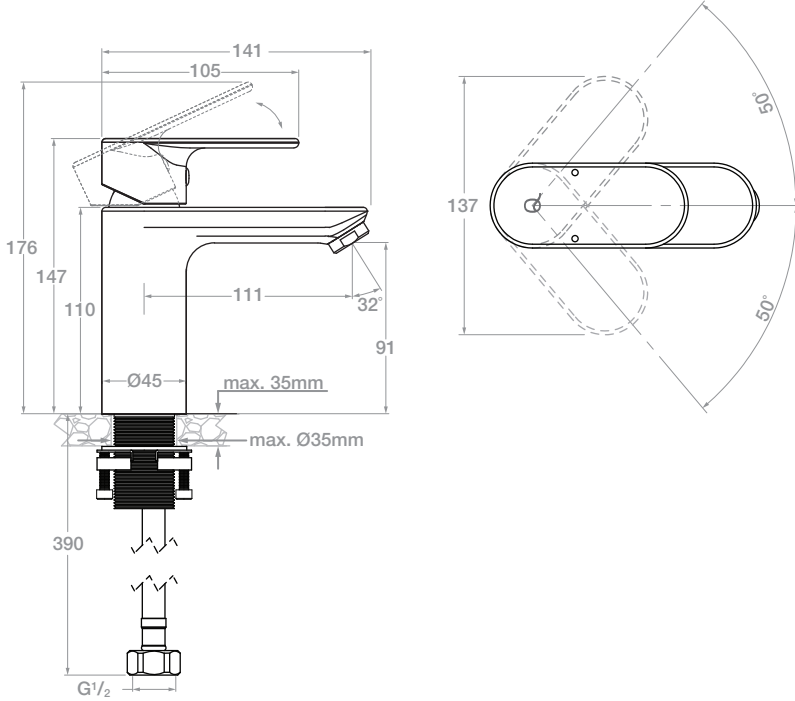


Teflon tape
(not supplied)

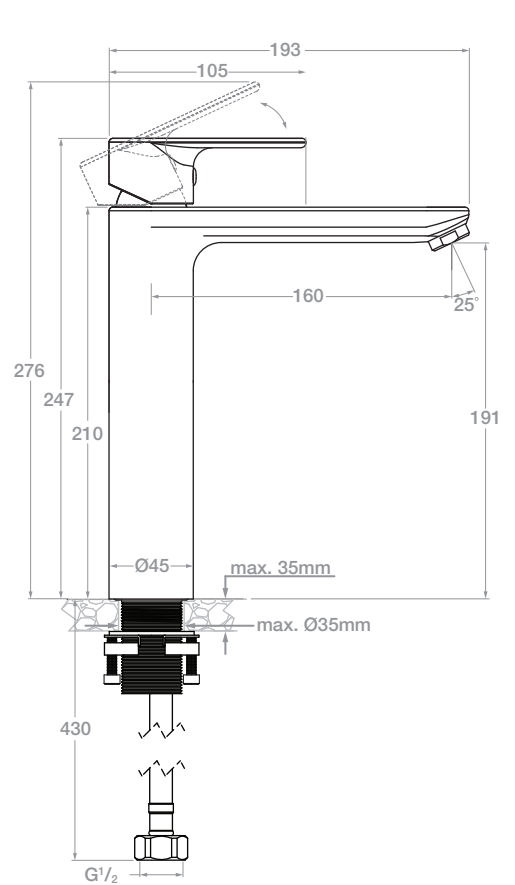
2. Product Dimensions

All dimensions shown in millimeters (mm)

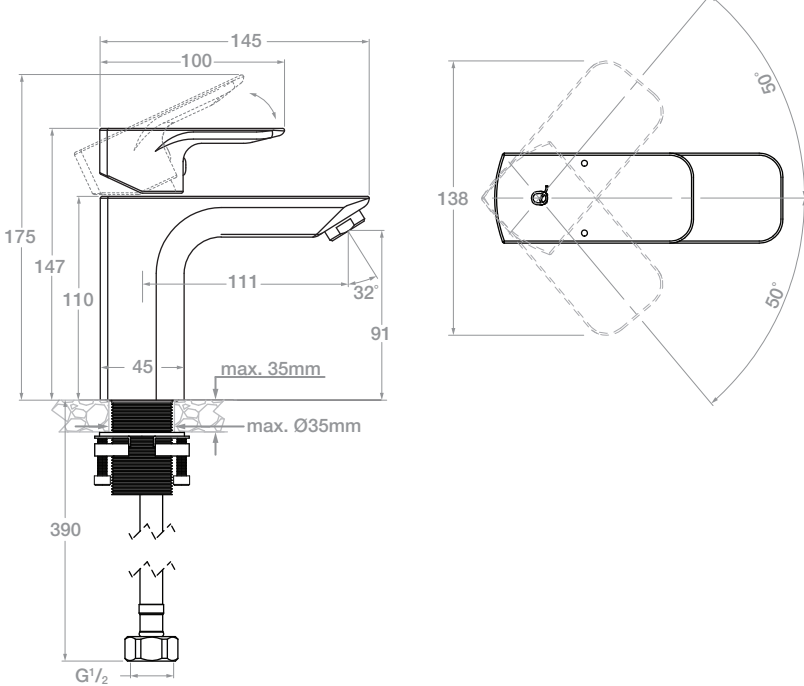
SOLACE 110



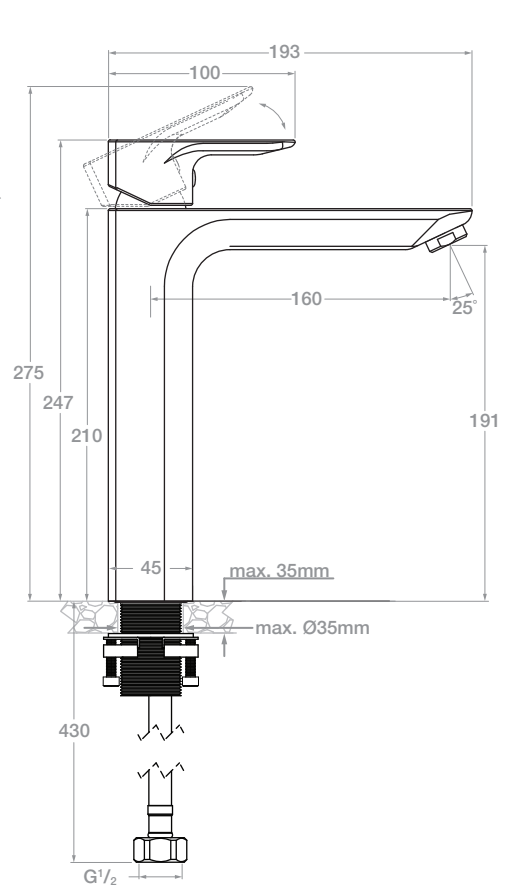
SOLACE 210



VALOUR 110



VALOUR 210



3. Technical Data

Pressures

Recommended Operating Pressure:	1 – 5 bar (0.1-0.5 MPa)
Maximum Operating Pressure:	10 bar (1 MPa)
Test Pressure:	16 bar (1.6 MPa)

Flow Rate

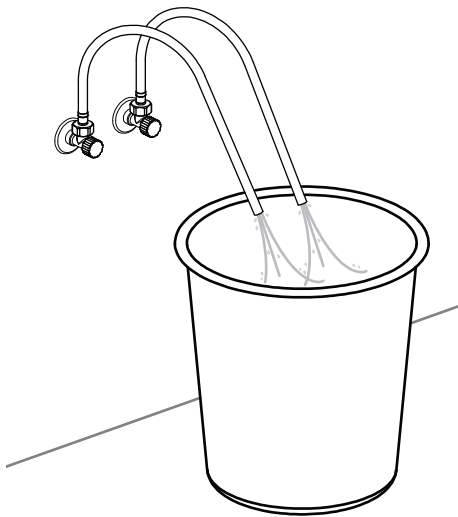
Flow rate at 3 bar flow pressure

No Filter:	12 l/min
Standard Filter 7,8:	7.8 l/min
Flow Reducing Filter 5.6 (optional extra):	5.6 l/min

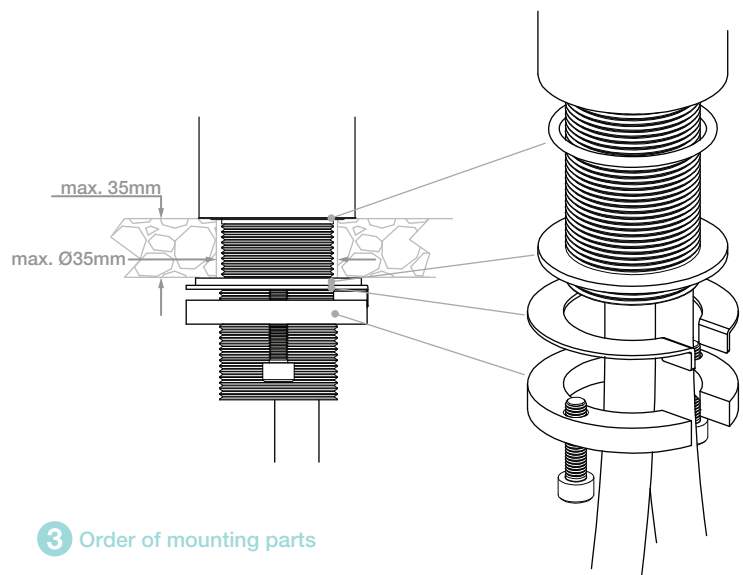
Water Temperatures

Maximum Hot water inlet temperature:	80 °C
Recommended Hot water temperature:	60 °C

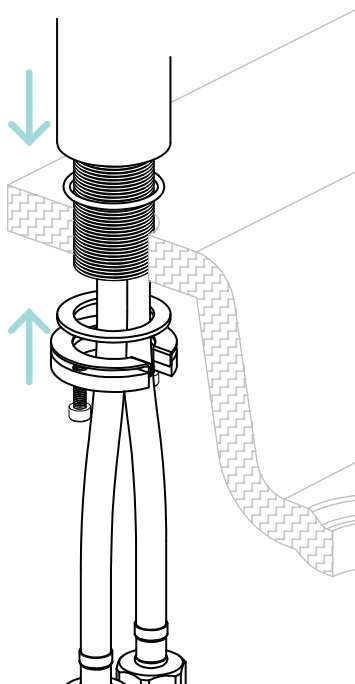
4. Installation



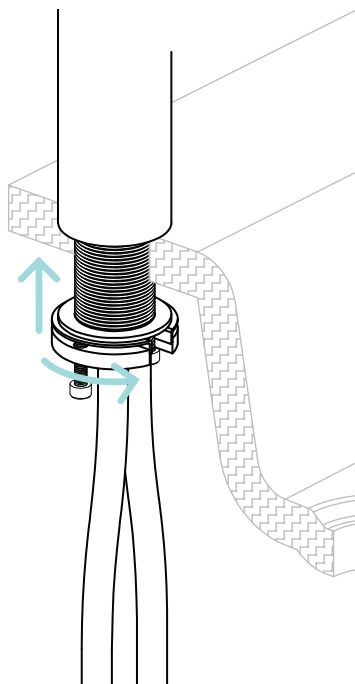
- 1 Flush water pipes
- 2 Close Shut-off valves



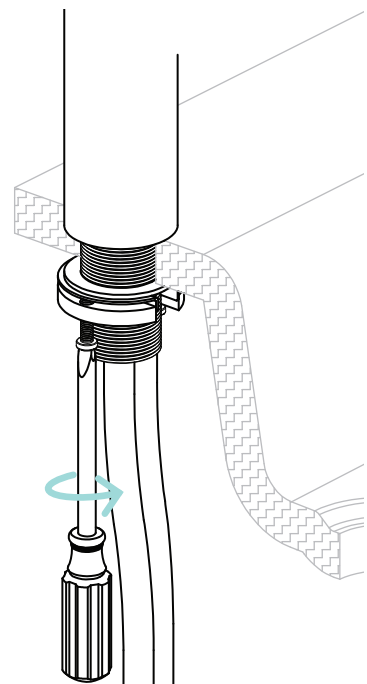
- 3 Order of mounting parts



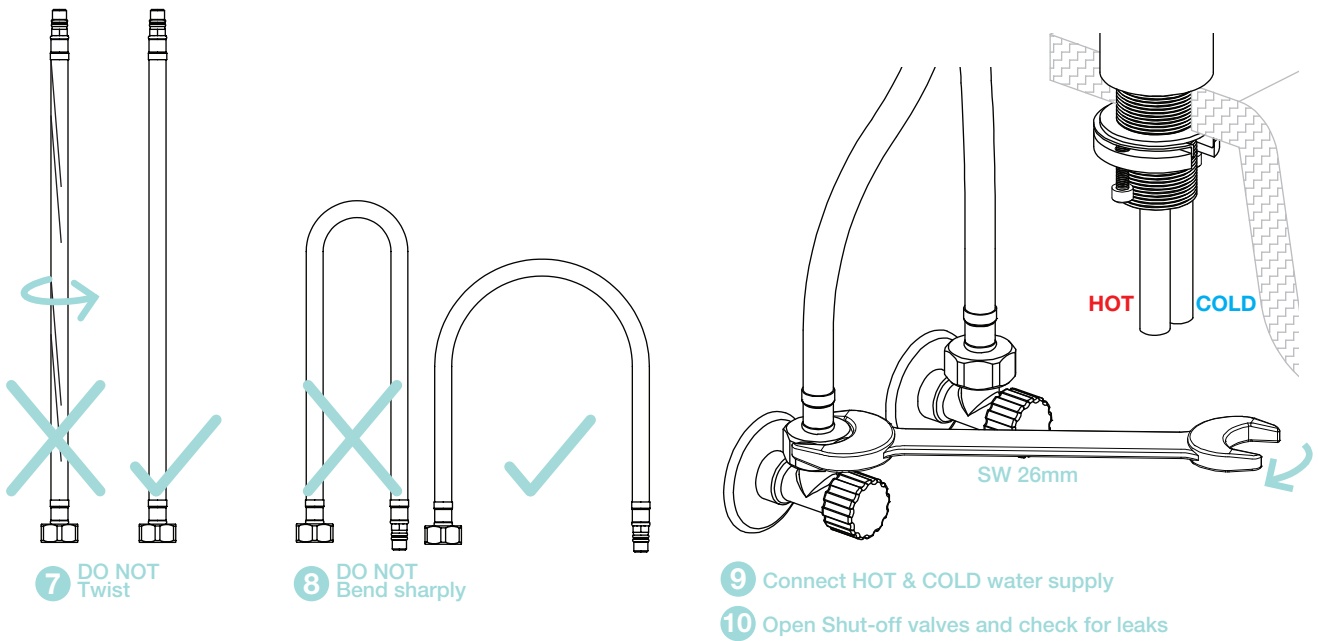
- 4 Place mixer in position



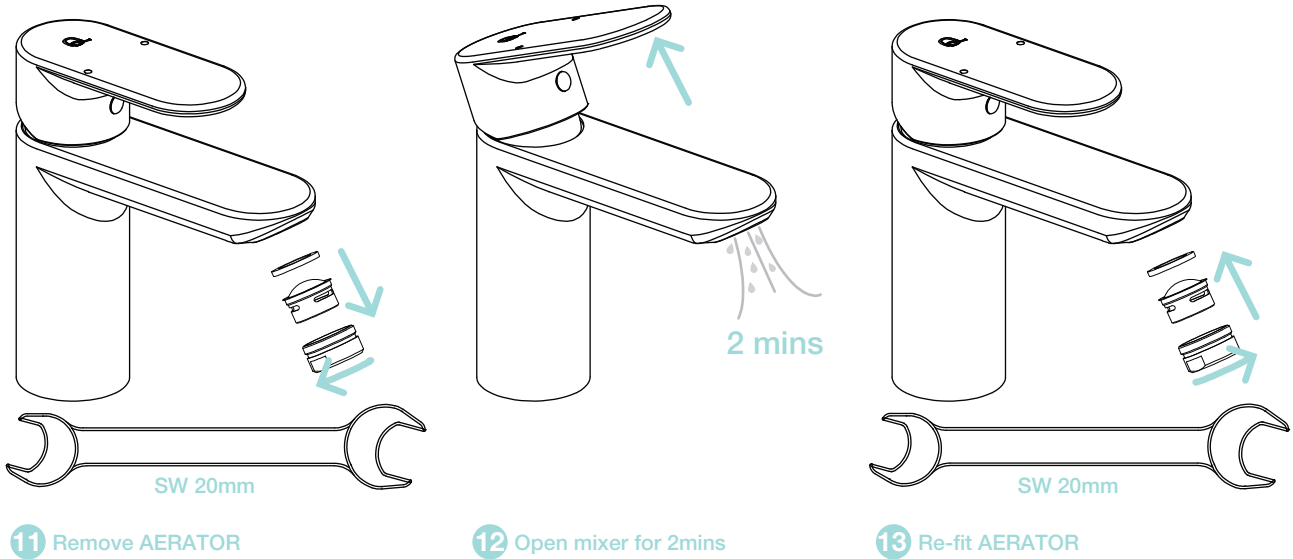
- 5 Tighten brass nut



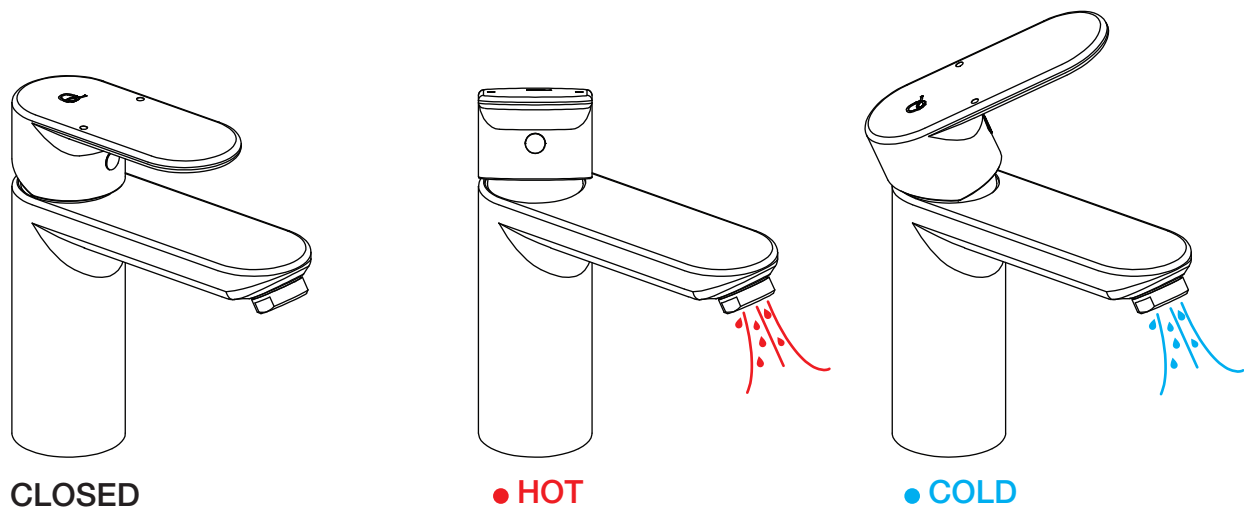
- 6 Tighten adjusting screw



5. First time use - System Flush



6. Operation - How to use



7.1 Care and Maintenance - Cleaning

DO NOT clean with Tile Grout cleaner or any other cleaner with an acid (with exception of citric-acid) or chlorine (bleach) base. Warranty will be void if these cleaning products are used.

To maintain the mixer in pristine condition and to prevent the accumulation of dirt and lime-scale it is important to:

- Clean the surface of the mixer daily
- Clean the AERATOR regularly

Cleaning of the mixer surface:

- Use water and a soft cloth to clean.
- If dirt and lime-scale have accumulated on the surface only use cleaners with a citric-acid base.
- DO NOT use general house-hold cleaning agents as these can contain chlorine or other acids.
- DO NOT leave the cleaning agent on the fitting for an extended period.
- Rinse the fittings with sufficient clean water to remove all cleaning agent before drying.
- Use a soft clean cloth to polish dry.

Suitable cleaning agents:

- Use cleaners with a citric acid base only.
- We recommended that you only use cleaning agent specially developed for chrome fittings. Read and follow the instructions on the cleaning agent packaging.
- The cleaning spray should be sprayed onto the cloth and not directly on to the chrome fitting.

UNSUITABLE cleaning agents and cleaning materials:

- DO NOT USE Tile Grout cleaner or any other cleaner with an acid (with the exception of citric-acid) or chlorine (bleach) base.
- DO NOT USE any abrasive cleaning materials or pads.
- DO NOT USE cleaners with abrasive particles or scouring powders.

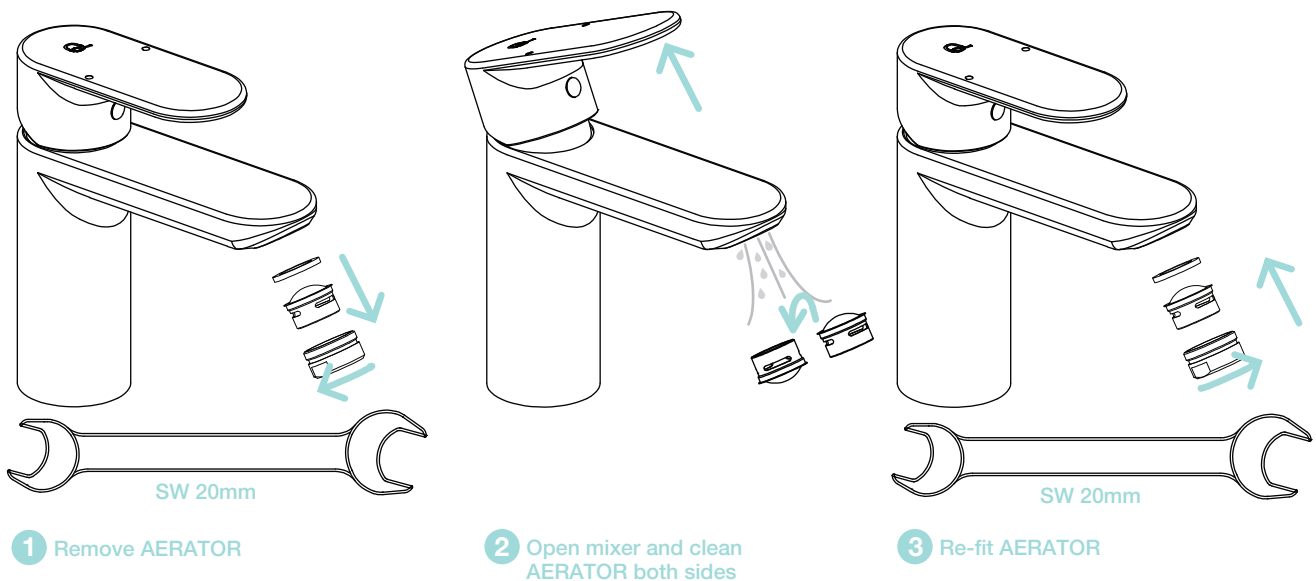
7.2 Care and Maintenance - Cleaning the AERATOR

It is important to clean the AERATOR regularly to prevent the accumulation of dirt and lime-scale.

If you notice a decrease in the water flow then clean the AERATOR .

Clean with:

- Clean water and an old toothbrush
- If dirt and lime-scale has accumulated then use cleaners with a citric-acid base.
- DO NOT use general house-hold cleaning agents as these can contain chlorine or other acids.

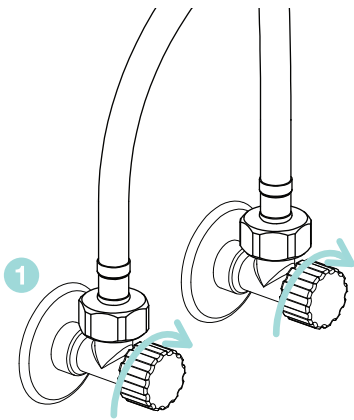


7.3 Care and Maintenance - Cartridge Replacement

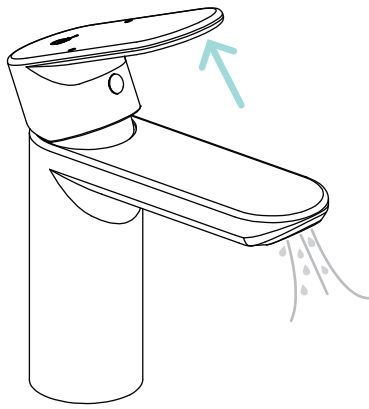
The Cartridge should only need to be replaced:

- If you have already cleaned the AERATOR and the flow rate has not improved
- The Cartridge is leaking.

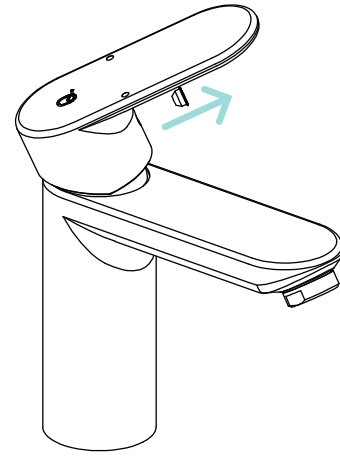
Use only original **LIQUID RED** spares.



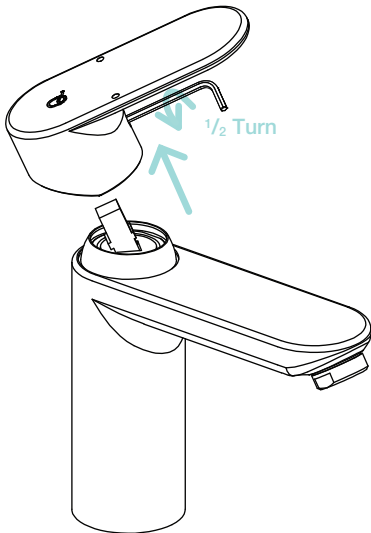
1 Close shut off valves



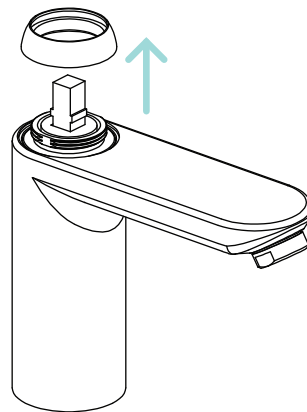
2 Release water pressure



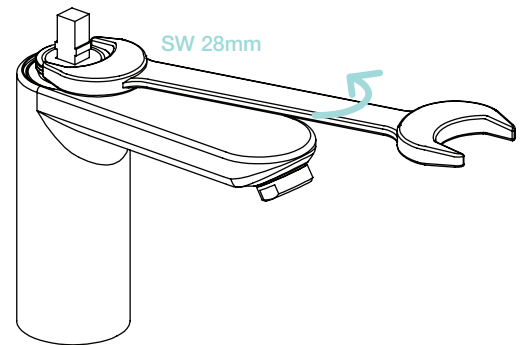
3 Remove Hole Plug



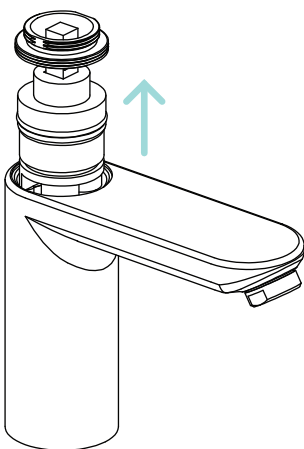
4 Remove Mixer Lever



5 Remove Cartridge Cap



6 Loosen Cartridge Nut



7 Remove Cartridge and replace

8. Spares listing

NOTE

Mixer shown in this diagram is for reference purposes only, all spares are applicable to models associated with these instructions.

